



32084/\*\*/16

Gebruiksaanwijzing

Notice d'emploi

Benutzerhandbuch

User manual

Manual de usuario

Manual do usuário

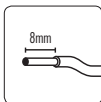
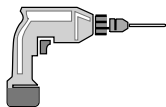
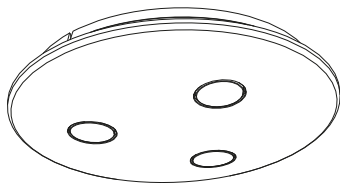


# PHILIPS

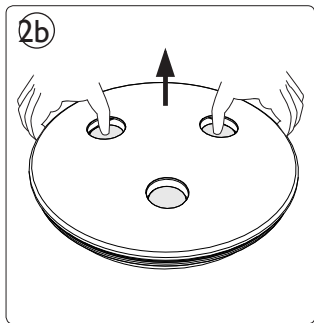
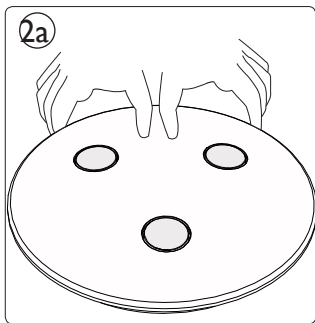
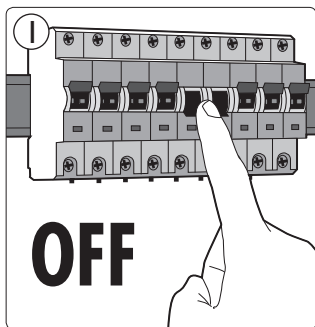
Incl.



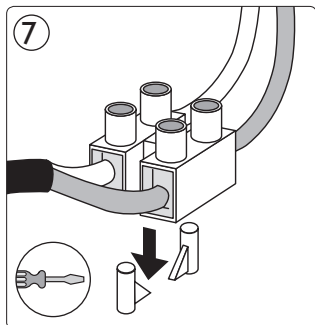
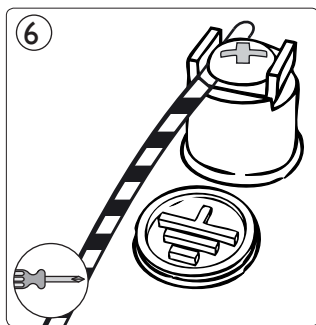
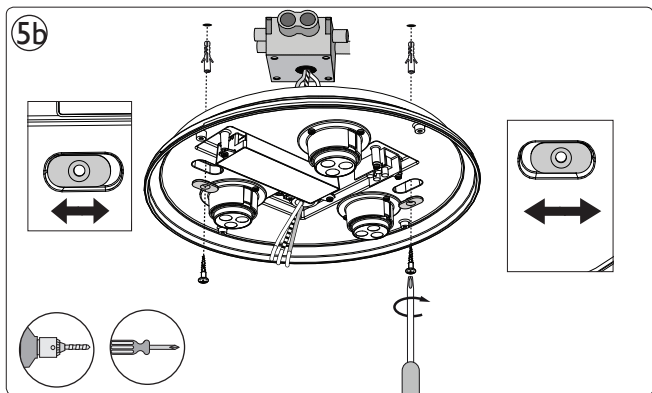
9 x Luxeon Rebel  
Powered

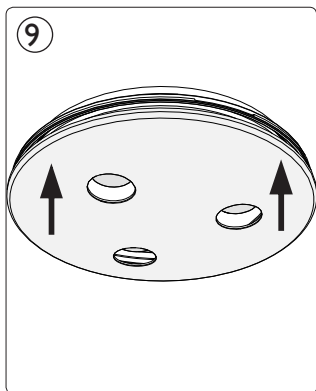
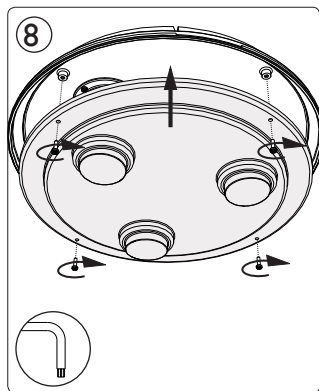


➔ **B** + **C**













Philips Lighting Contact Centre  
Int. Business Reply Service  
I.B.R.S. / C.C.R.I. Numéro 10461  
5600 VB Eindhoven  
Pays-Bas / The Netherlands

[www.philips.com/homelighting](http://www.philips.com/homelighting)  
☎ +800 7445 4775

4404.018.34911  
Last update: 26/11/12