

CoreLine WT120C Waterproof

Installation instructions

Instructions de montage

Instrucciones de montaje

Kokoonpano- ja kiinnitysohjeet

Szerelési utasítások

Montageanleitung

Instrues de montagem

Montaj yönergesi

Návod k montáži

Montage instruktio

Monteringsinstruktioner

Οδηγίες εγκατάστασης

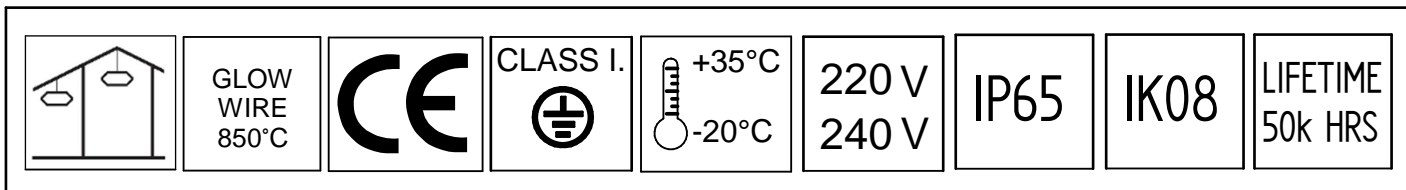
инструкция по монтажу

Istruzioni di montaggio

Monteringsvejledning

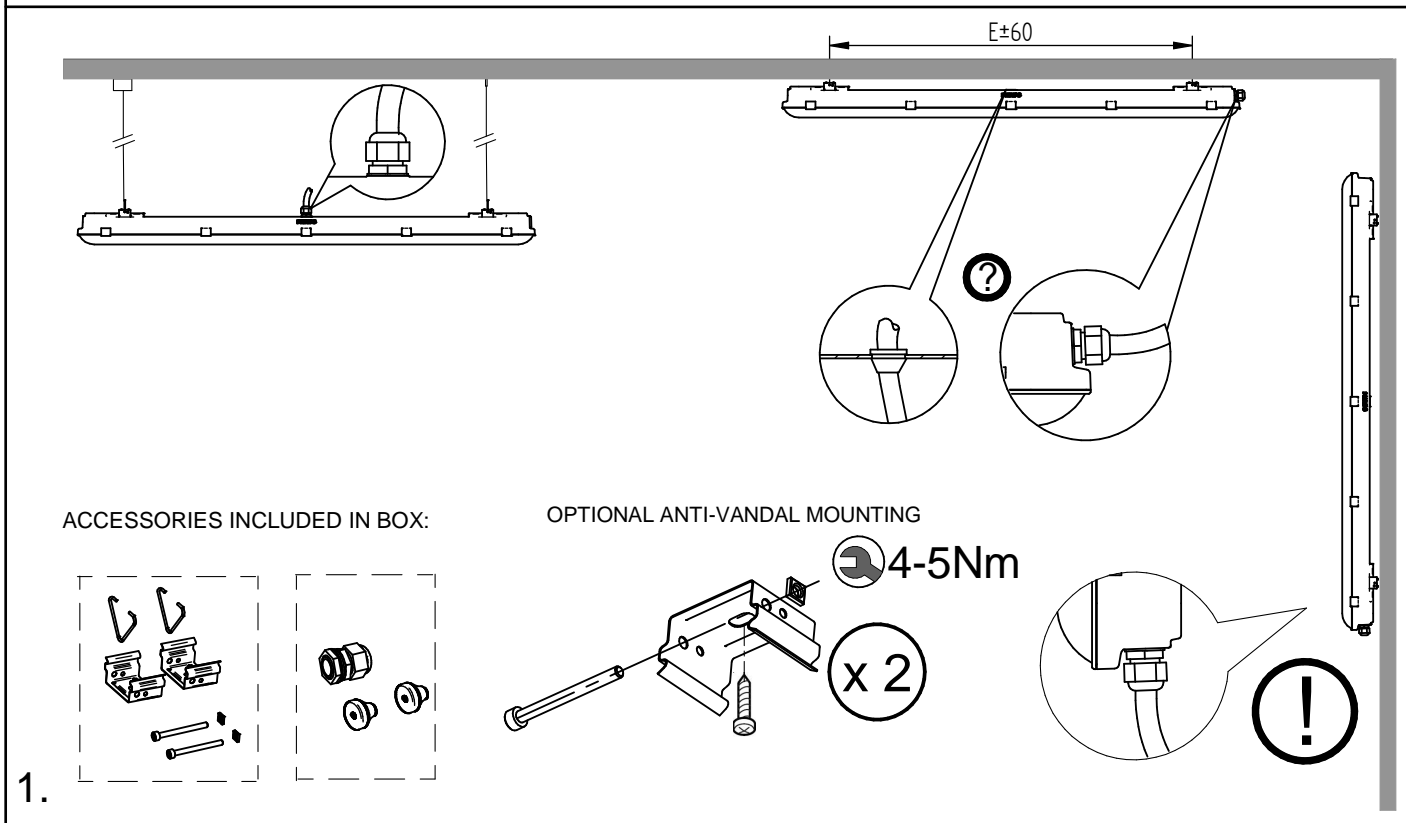
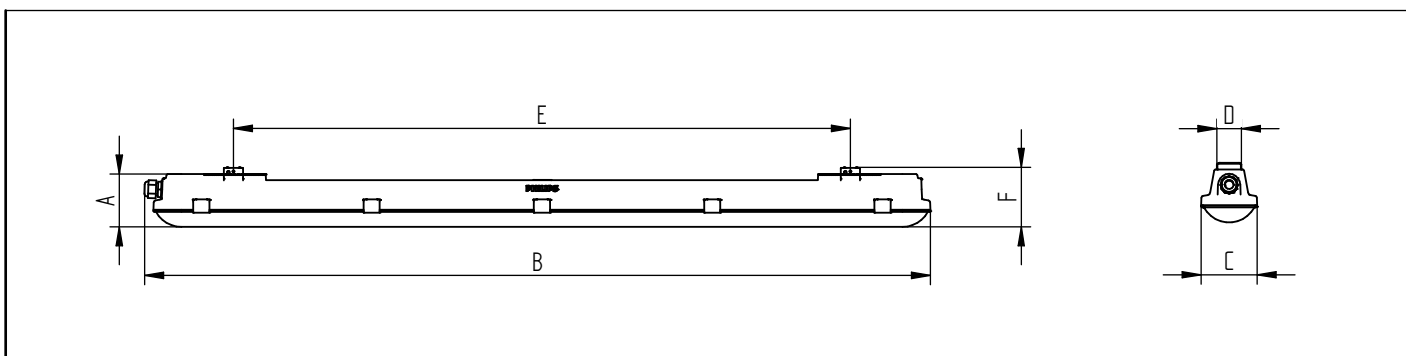
Instrukcja montazu

Návod k montáži



Intended for indoor use, ta=35°C MAX or Outdoor-temporary use

| Type | Luminous Flux | CCT | Dimension (mm) | | | | | | P _{typ} (W) | kg | Nr. of clips |
|-----------------------------|---------------|-------|----------------|------|----|----|------|----|----------------------|------|--------------|
| | | | A | B | C | D | E | F | | | |
| WT120C LED18S/840 PSU L600 | 1800 | 4000K | 82 | 661 | 87 | 38 | 388 | 96 | 17 | 0.93 | 6 |
| WT120C LED22S/840 PSU L1200 | 2200 | | | 1223 | | | 960 | | 20 | | |
| WT120C LED40S/840 PSU L1200 | 4000 | | | 1504 | | | 1213 | | 38 | 1.53 | 10 |
| WT120C LED34S/840 PSU L1500 | 3400 | | | | | | | | 29 | 1.82 | 12 |
| WT120C LED60S/840 PSU L1500 | 6000 | | | | | | | | 57 | | |



4443 160 02898

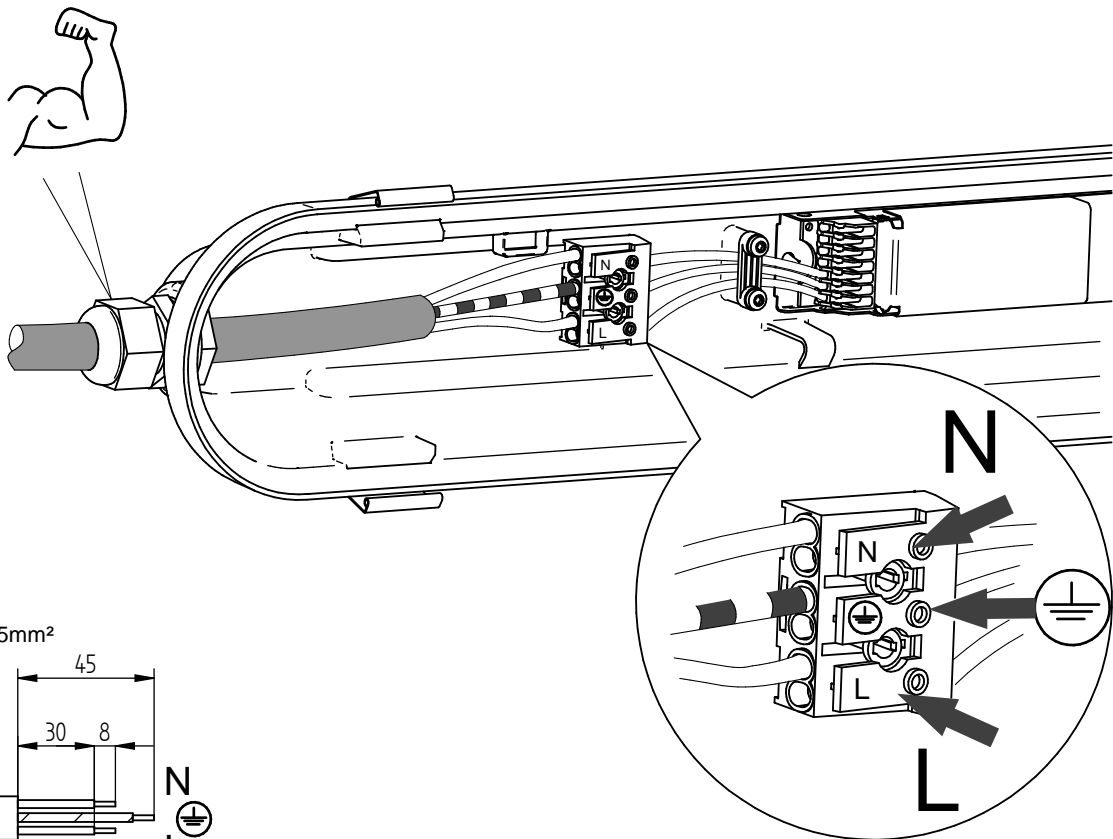
Version date 03/06/2015

Data Subject to change without notice

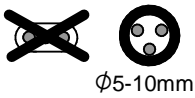
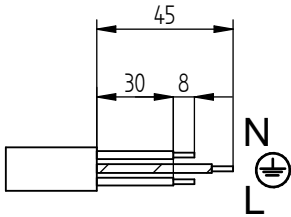
Printed in EU

www.philips.com/lighting

PHILIPS

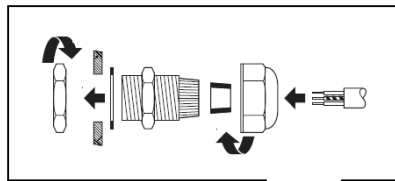
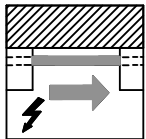


□ 0,75-2,5mm²

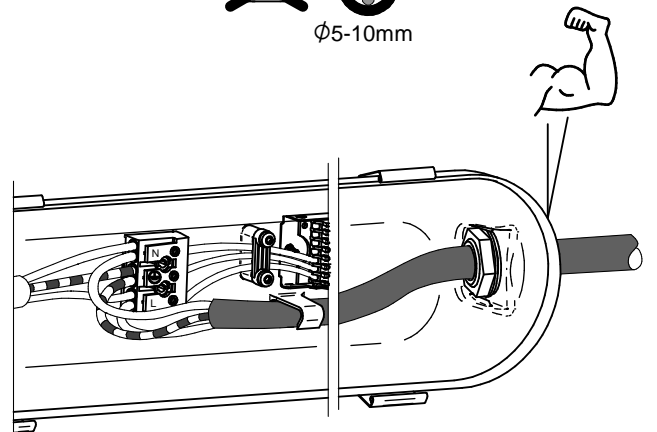
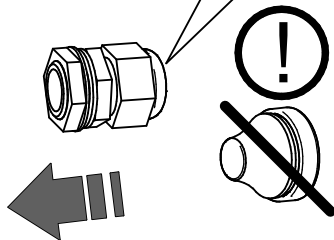
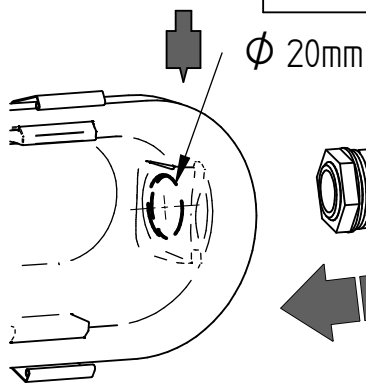
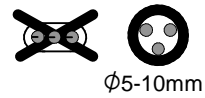
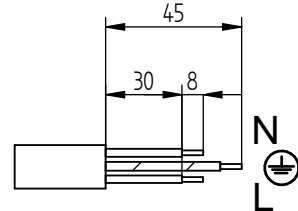


2.

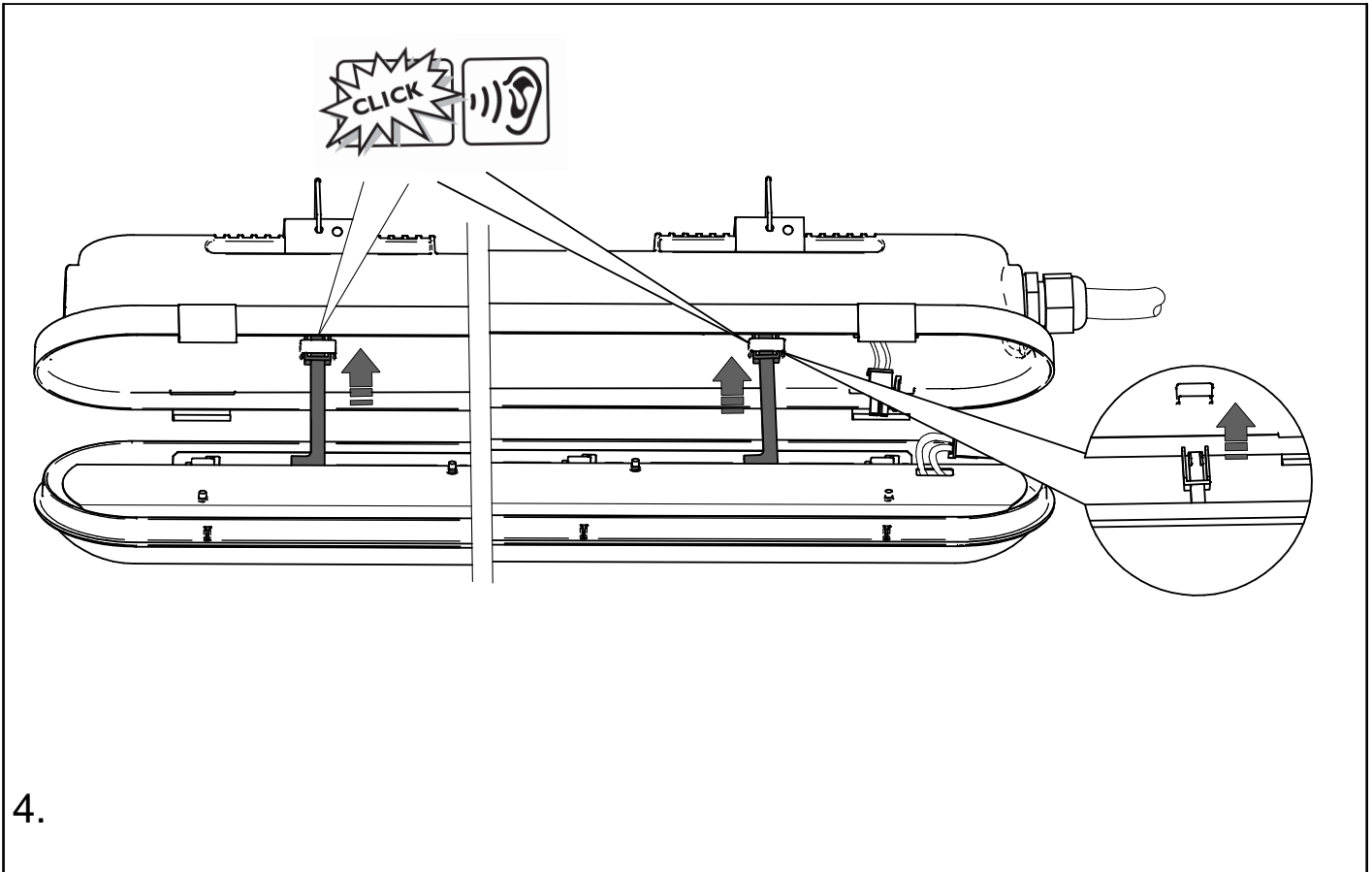
THROUGH WIRING



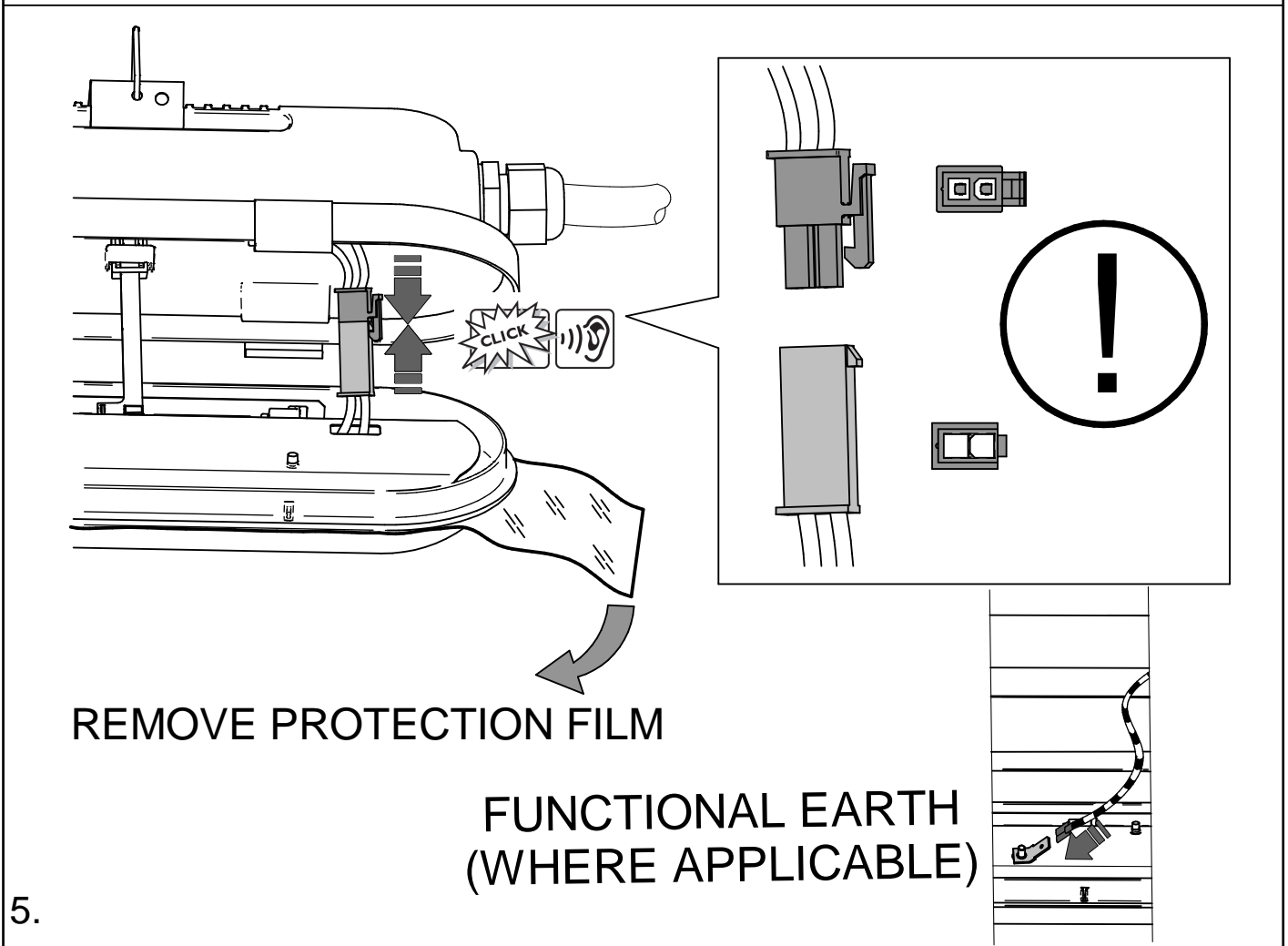
□ 0,75-2,5mm²



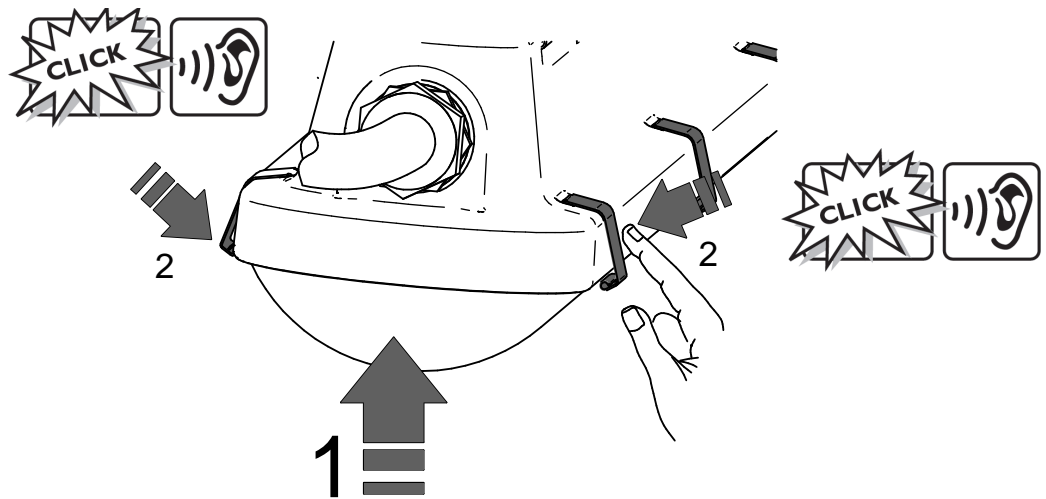
3.



4.



5.

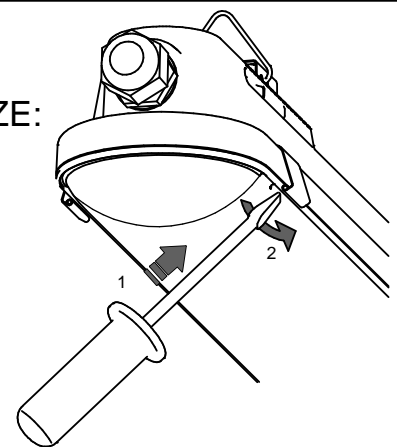
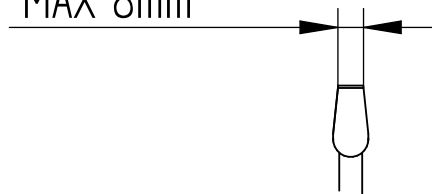


6.

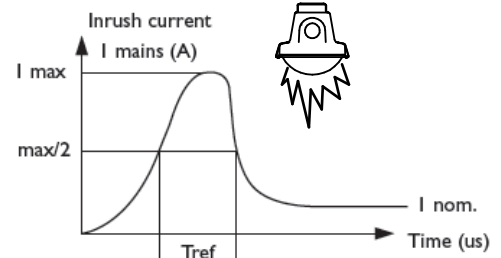
SERVICE (DRIVER REPLACEMENT)

Light source (LED) is not replaceable.

MAXIMAL SCREWDRIVER SIZE:
MAX 8mm



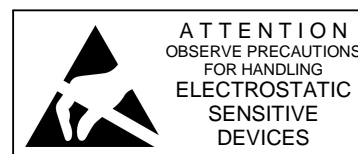
| | LED18S | LED22S | LED34S | LED40S | LED60S |
|---------------------------------|--------|--------|--------|--------|--------|
| I _{peak} [A] | 14 | 14 | 19 | 19 | 19 |
| Twidth [μs] | 250 | 250 | 280 | 280 | 280 |
| Max. Nr of products | | | | | |
| Drivers / MCB 16A type B [max.] | 33 | 33 | 24 | 24 | 24 |
| Drivers / MCB 10A type B [max.] | 20 | 20 | 15 | 15 | 15 |
| Drivers / MCB 16A type C [max.] | 56 | 56 | 40 | 40 | 40 |
| Drivers / MCB 10A type C [max.] | 34 | 34 | 24 | 24 | 24 |



Maintenance instructions

To assure the lighting quality of this unique LED lighting concept there are only a few instructions regarding the maintenance of this LED luminaire:

- * Do not touch electronic components!
Electronic components maybe under high voltage.
- * Do not stare into LED light beam.
- * The luminaire shall be installed by a qualified electrician and wired in accordance with the latest IEE electrical regulations or the national requirements.
- * Above average concentraion of sulfur effects the useful lifetime of the product.
E.g: Light color changes from white to blue. Typically in chicken & pig farms.



PHILIPS

CoreLine Waterproof WT120C Emergency Light

Installation instructions

Instructions de montage

Instrucciones de montaje

Kokoonpano- ja kiinnitysohjeet

Szerelési utasítások

Montageanleitung

Instrues de montagem

Montaj yönergesi

Návod k montáži

Montage instruktio

Monteringsinstruktioner

Οδηγίες εγκατάστασης

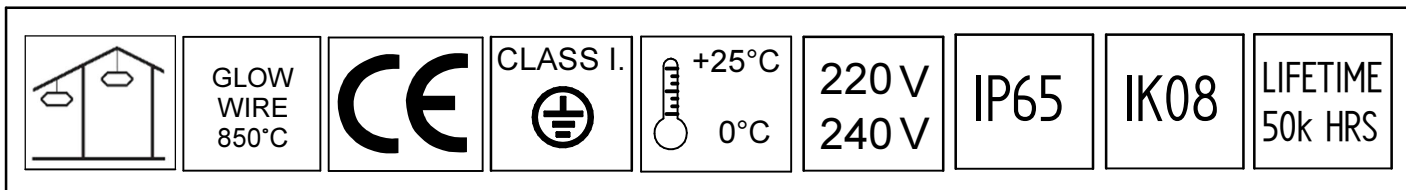
инструкция по монтажу

Istruzioni di montaggio

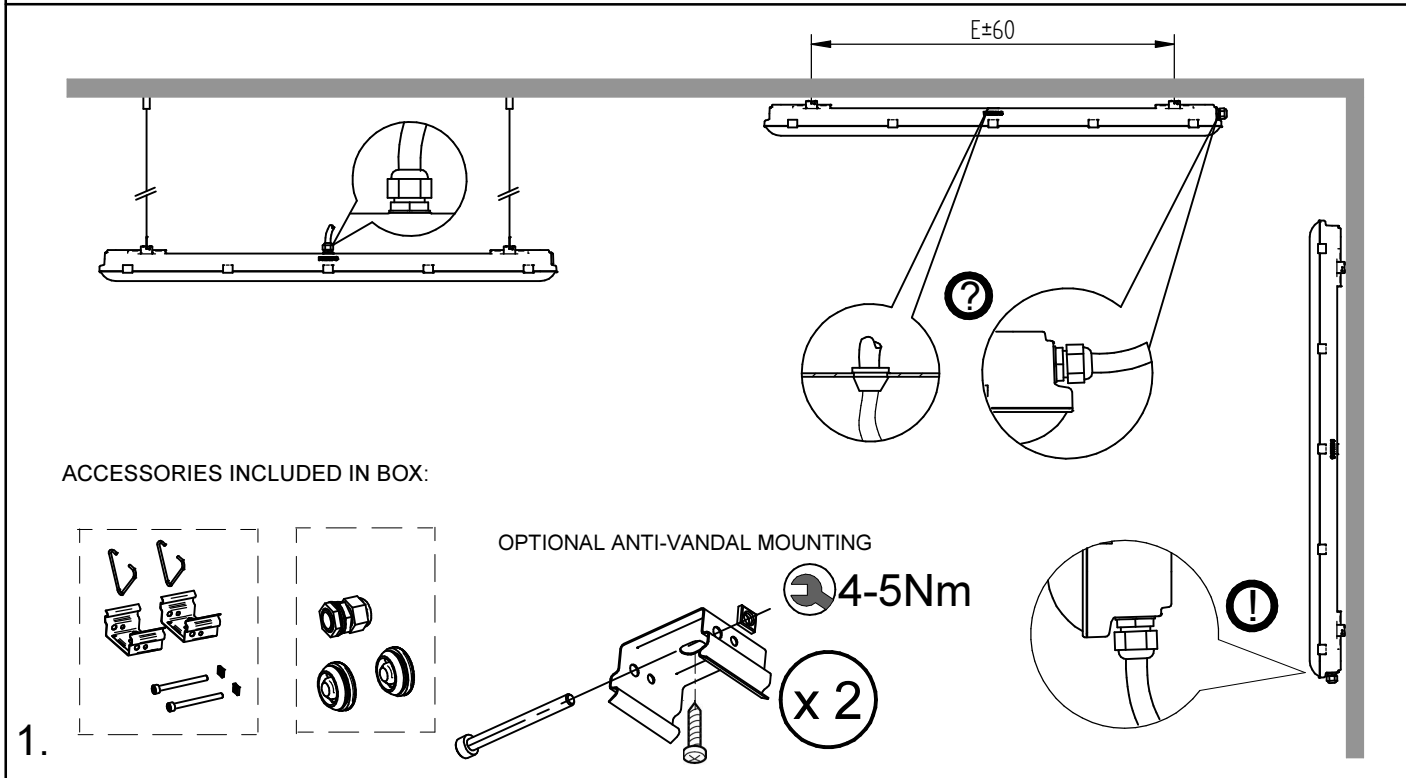
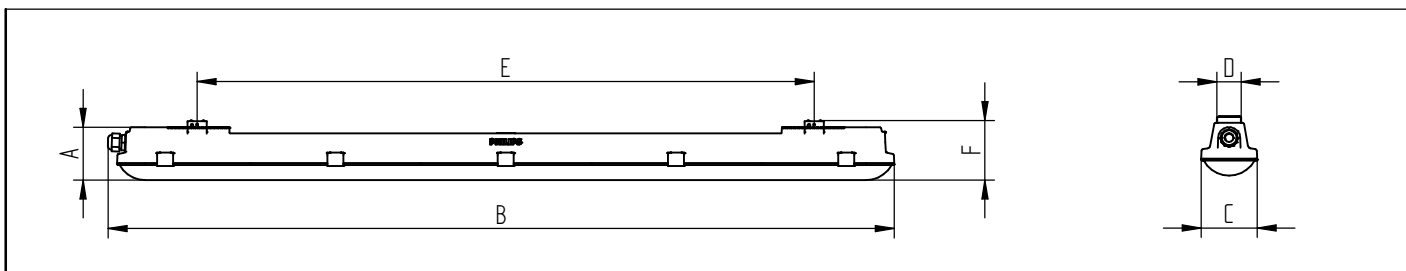
Monteringsvejledning

Instrukcja montazu

Návod k montáži



| Type | Luminous Flux (lm) | | CCT | Dimension (mm) | | | | | | P _{typ} (W) | kg |
|---------------------------------|--------------------|---------|--------|----------------|------|----|----|------|----|----------------------|-----|
| | standard mode | EL-mode | | A | B | C | D | E | F | | |
| WT120C LED22S/840 PSU L1200 EL1 | 2200 | 300 | 4000 K | 82 | 1223 | 87 | 38 | 960 | 96 | 23 | 2,3 |
| WT120C LED22S/840 PSU L1200 EL3 | | | | | | | | | | | 2,5 |
| WT120C LED40S/840 PSU L1200 EL1 | 4000 | 300 | 4000 K | 82 | 1223 | 87 | 38 | 960 | 96 | 41 | 2,3 |
| WT120C LED40S/840 PSU L1200 EL3 | | | | | | | | | | | 2,5 |
| WT120C LED34S/840 PSU L1500 EL1 | 3400 | 300 | 4000 K | 82 | 1504 | 87 | 38 | 1213 | 96 | 29 | 2,5 |
| WT120C LED34S/840 PSU L1500 EL3 | | | | | | | | | | | 2,7 |
| WT120C LED60S/840 PSU L1500 EL1 | 6000 | 300 | 4000 K | 82 | 1504 | 87 | 38 | 1213 | 96 | 57 | 2,5 |
| WT120C LED60S/840 PSU L1500 EL3 | | | | | | | | | | | 2,7 |



4443 160 03843

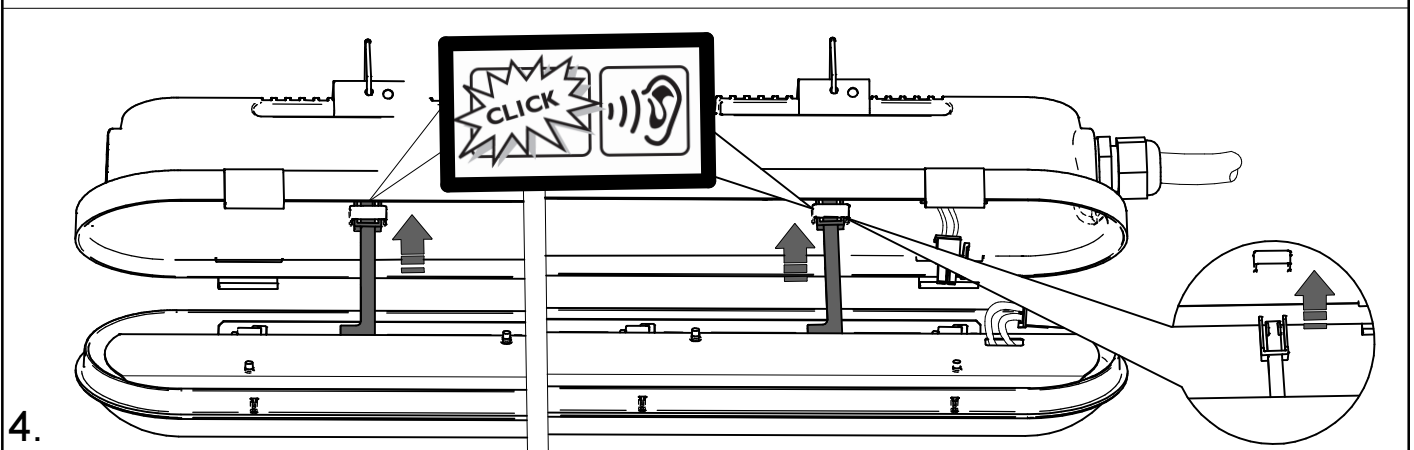
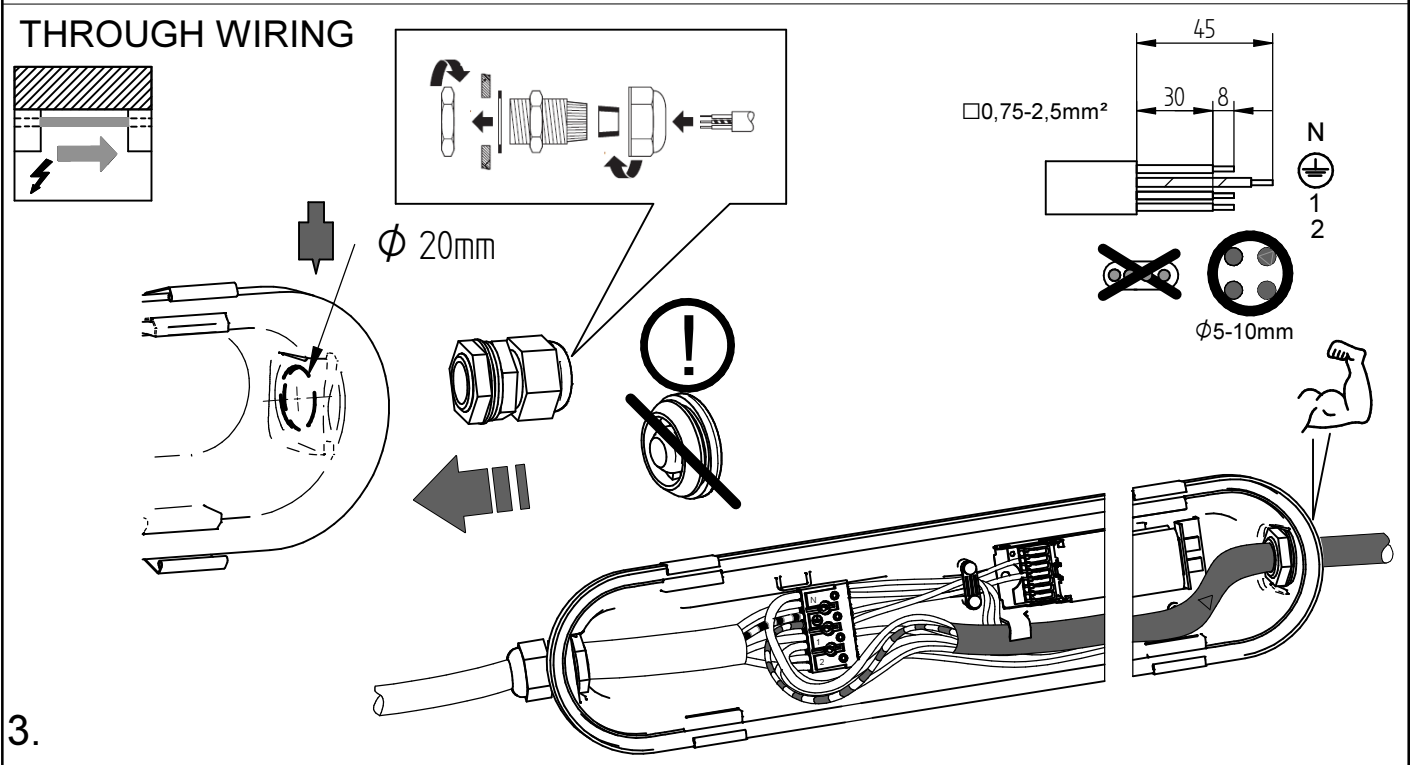
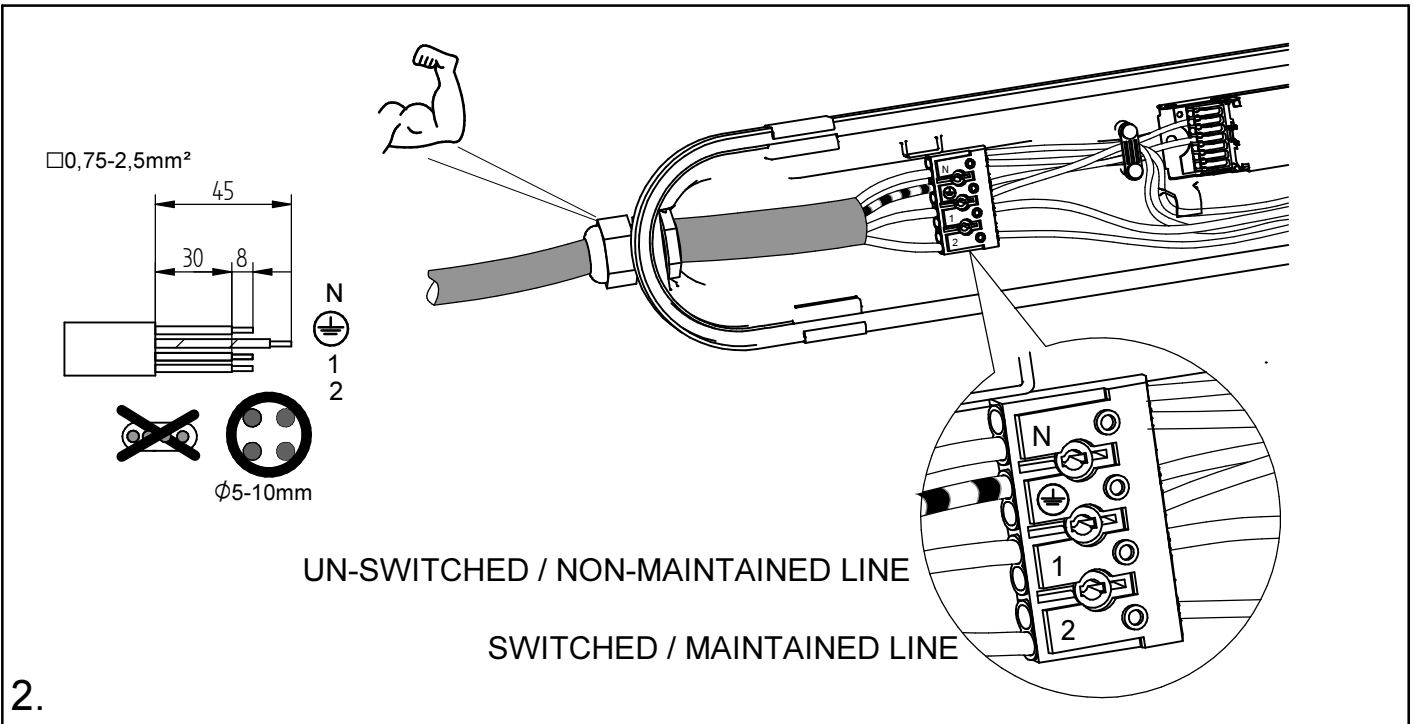
Version date : 31/01/2014

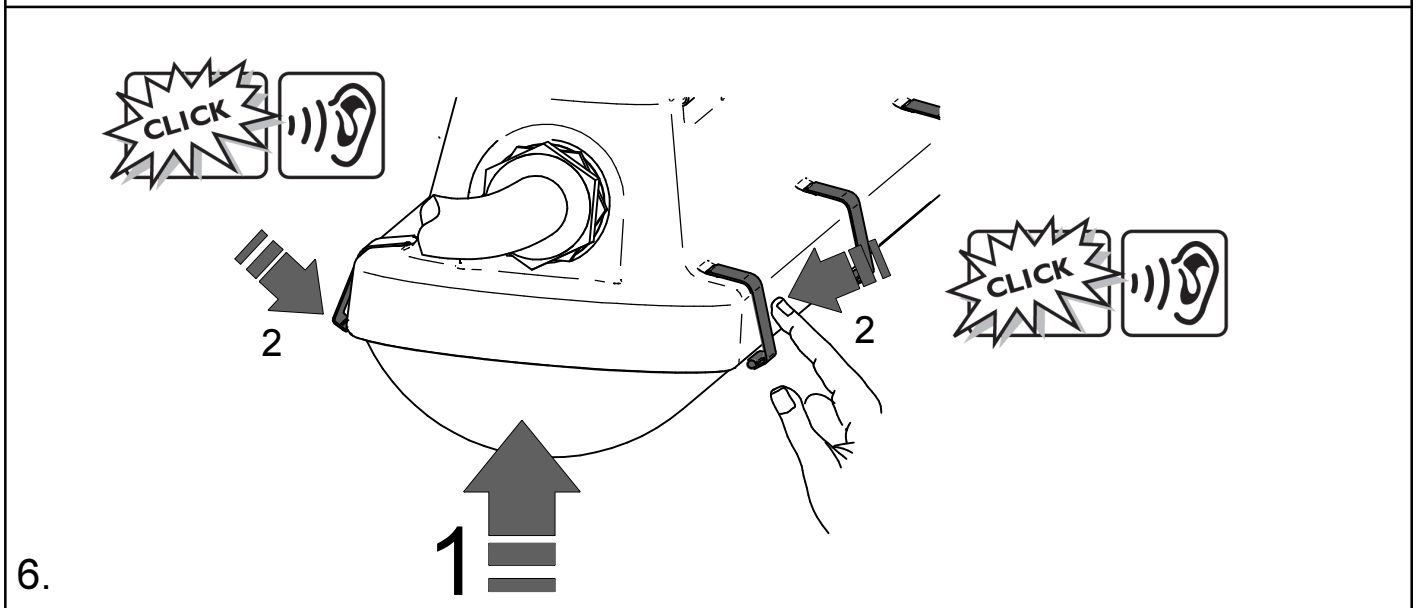
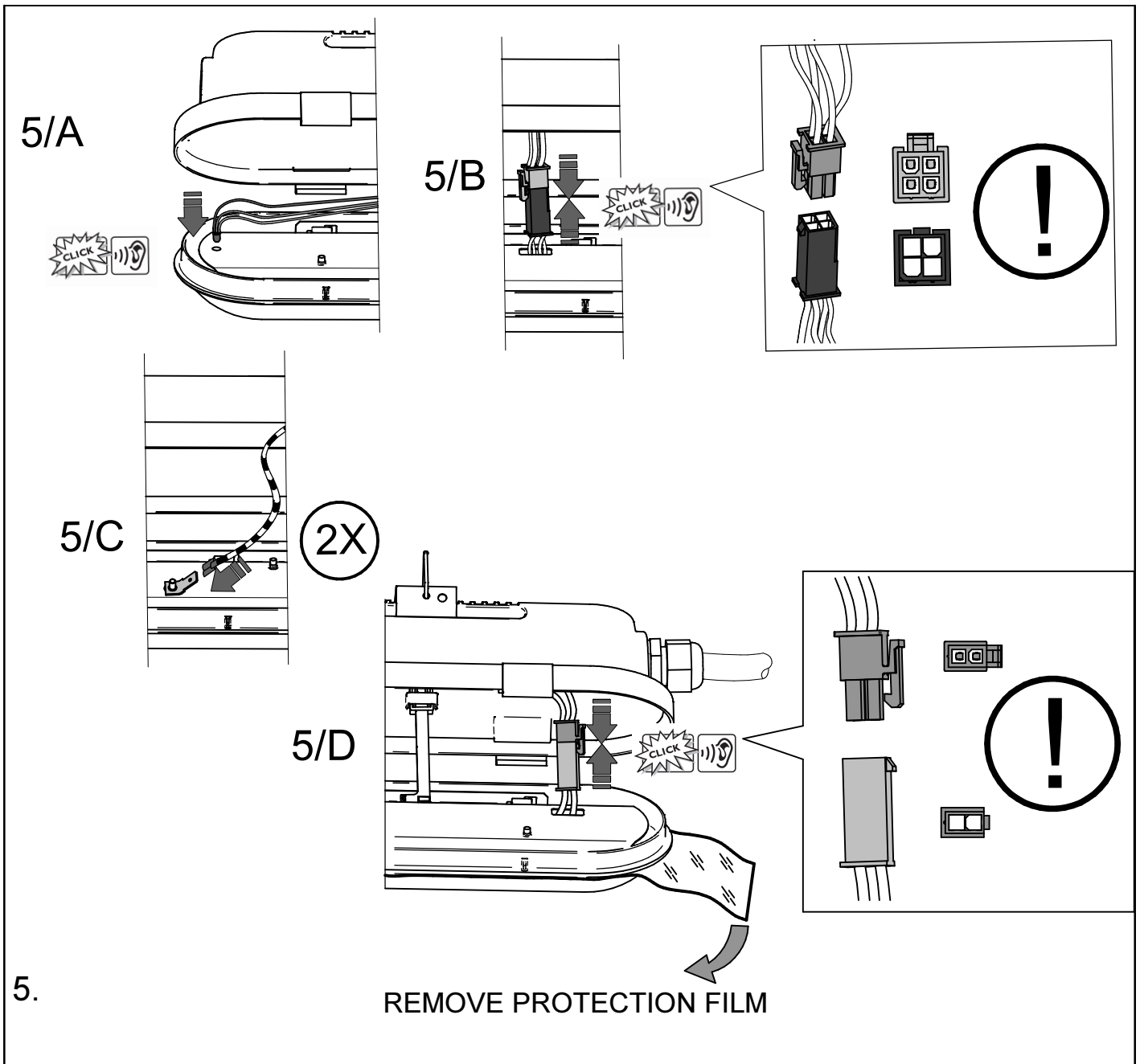
Data Subject to change without notice

Printed in EU

www.philips.com/lighting

PHILIPS



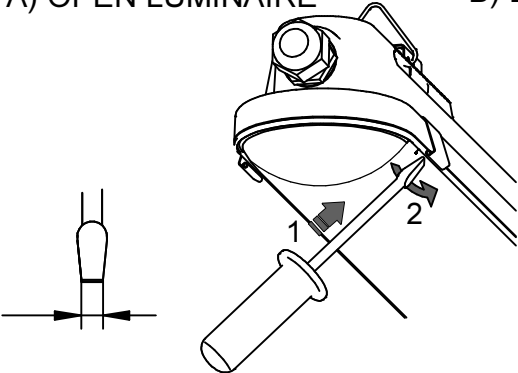


SERVICE: (DRIVER / BATTERY REPLACEMENT)

The batteries have a life time expectancy of 4 years.

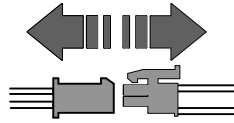
Light source (LED) is not replaceable.

A) OPEN LUMINAIRE

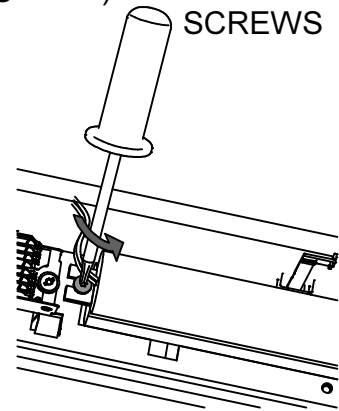


MAXIMAL SCREWDRIVER SIZE: 8MM

B) DECOUPLE BATTERY WIRES



C) UNTIGHT BATTERY SCREWS

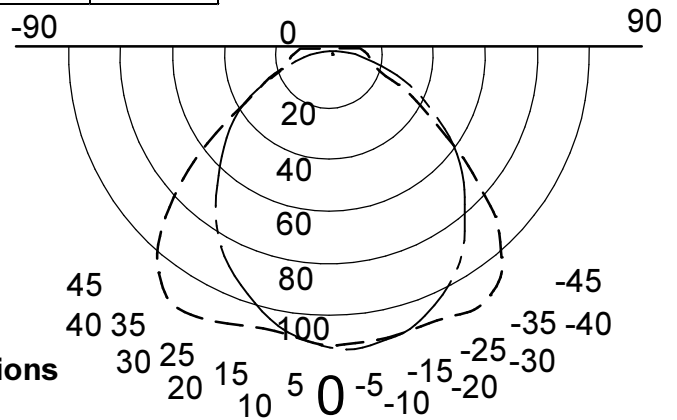
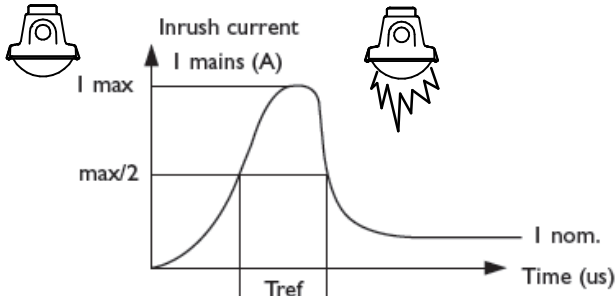


| | LED22S | LED34S | LED40S | LED60S |
|---------------------------------|---------------------|--------|--------|--------|
| I_{peak} [A] | 21 | 19 | 22 | 19 |
| T_{width} [μ s] | 255 | 275 | 235 | 275 |
| | Max. Nr of products | | | |
| Drivers / MCB 16A type B [max.] | 24 | 24 | 24 | 24 |
| Drivers / MCB 10A type B [max.] | 15 | 15 | 15 | 15 |
| Drivers / MCB 16A type C [max.] | 40 | 40 | 40 | 40 |
| Drivers / MCB 10A type C [max.] | 24 | 24 | 24 | 24 |

LIGHT INTENSITY DISTRIBUTION CURVES EMERGENCY MODE

--- C 0-180 PLANE

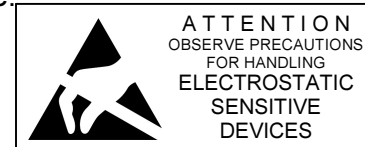
--- C 90-270 PLANE



Maintenance instructions

To assure the lighting quality of this unique LED lighting concept there are only a few instructions regarding the maintenance of this LED luminaire:

- * Do not touch electronic components!
Electronic components maybe under high voltage.
- * Do not stare into LED light beam.
- * The luminaire shall be installed by a qualified electrician and wired in accordance with the latest IEE electrical regulations or the national requirements.
- * Above average concentraion of sulfur effects the useful lifetime of the product.
E.g: Light color changes from white to blue. Typically in chicken & pig farms.
- * Periodic tests should be performed according to EN 50172:2004, clause 7.2.3 and 7.2.4.
Each month the driver is running in emergency mode for 30 seconds.
Once a year a full discharge cycle of at least 1 hr or 3 hrs (depending on product installed) should be performed.



4443 160 03843

Version date : 31/01/2014

Data Subject to change without notice

Printed in EU

www.philips.com/lighting

PHILIPS