

CoreLine Tempo

Version date 20-12-2013
www.lighting.philips.com

Mounting Instructions

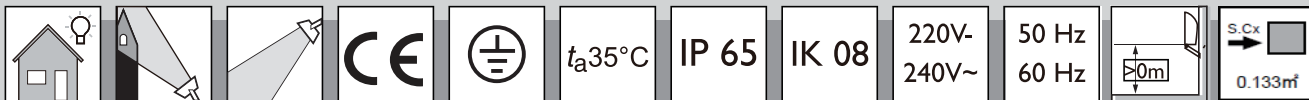
Instructions de montage
Montageanleitung
Montage instruktie
Istruzioni di montaggio

Instrucciones de montaje
Instruções de montagem
Monteringsinstruktioner
Monteringsvejledning

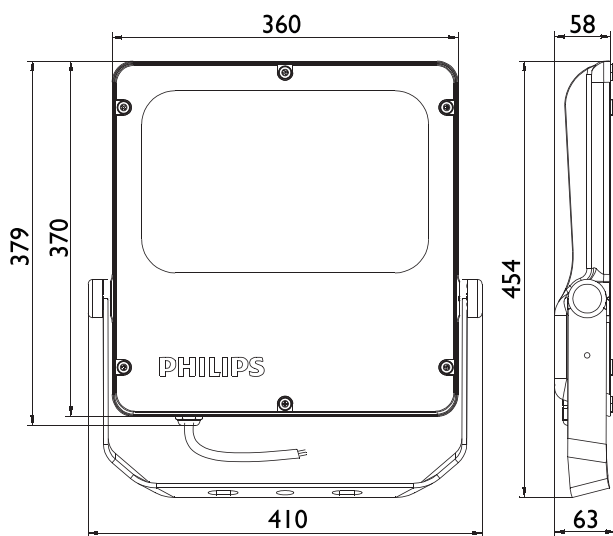
Kokoonpano- ja kiinnitysohjeet
Montaj yönergeleri
Οδηγίες συναρμολόγησης
Instrukcja montażu

Szerelési utasítások
Návod k montáži
ИНСТРУКЦИЯ ПО МОНТАЖУ
Návod k montáži

444129095381



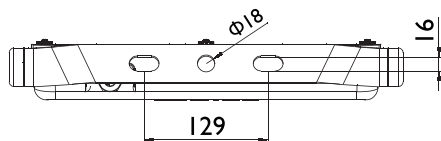
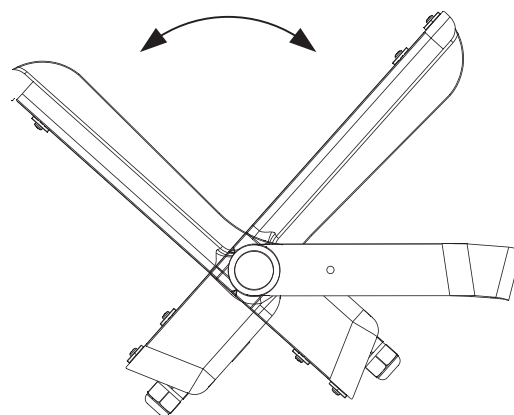
Type	Flux	Power	Beam	kg
BVP120 LED40/NW S	4000	40	Symmetric	6
BVP120 LED80/NW S	8000	80	Symmetric	6.5
BVP120 LED120/NW S	12000	120	Symmetric	6.6
BVP120 LED40/NW A	4000	40	Asymmetric	6
BVP120 LED80/NW A	8000	80	Asymmetric	6.5
BVP120 LED120/NW A	12000	120	Asymmetric	6.6



Vin	Ipeak			T (@ 50% of Ipeak)		
	40W	80W	120W	40W	80W	120W
220 Vrms	32A	32 A	32 A	389 μs	460 μs	460 μs
230 Vrms	33.9 A	47.2 A	47.2 A	380 μs	600 μs	600 μs
240 Vrms	35.7 A	45.8A	45.8A	374 μs	600 μs	600 μs

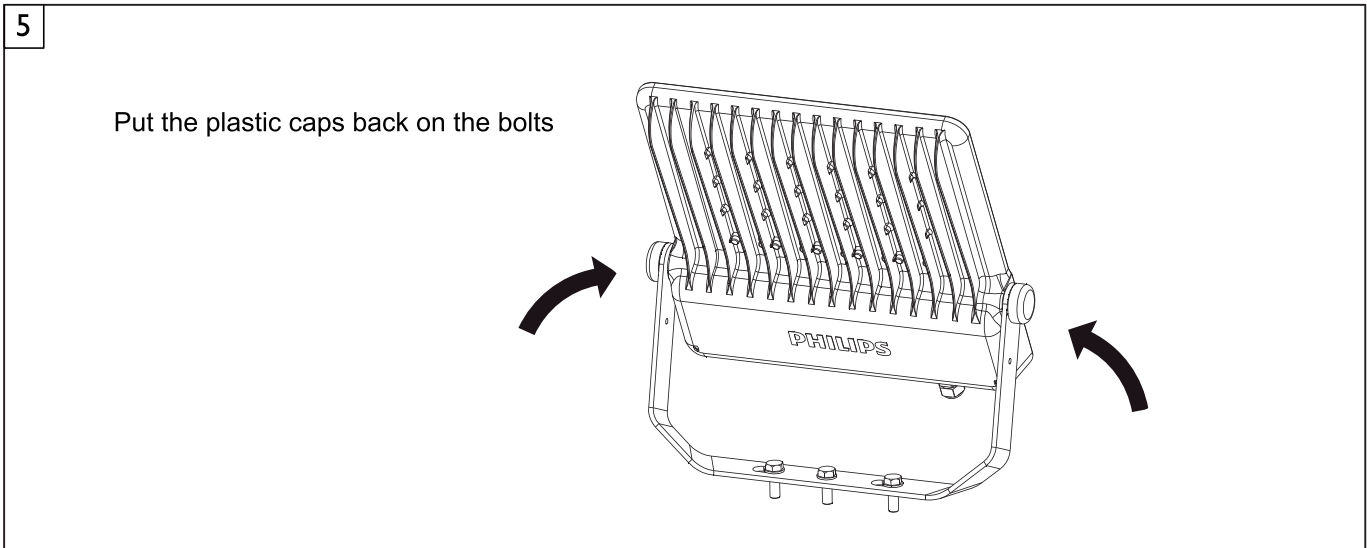
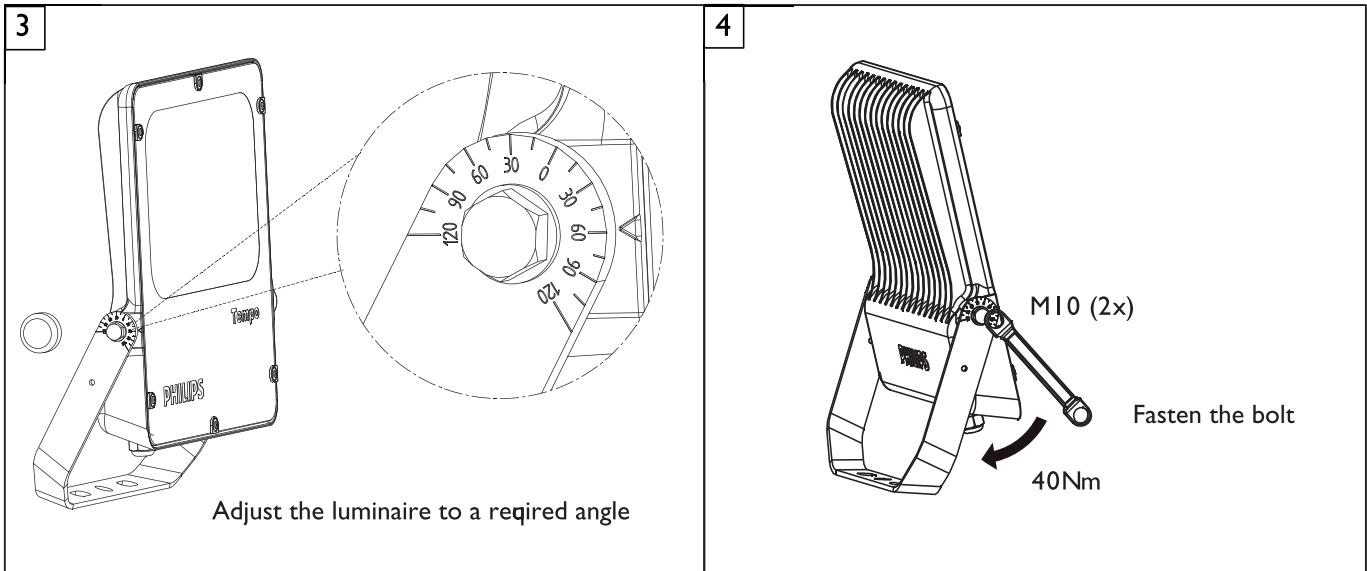
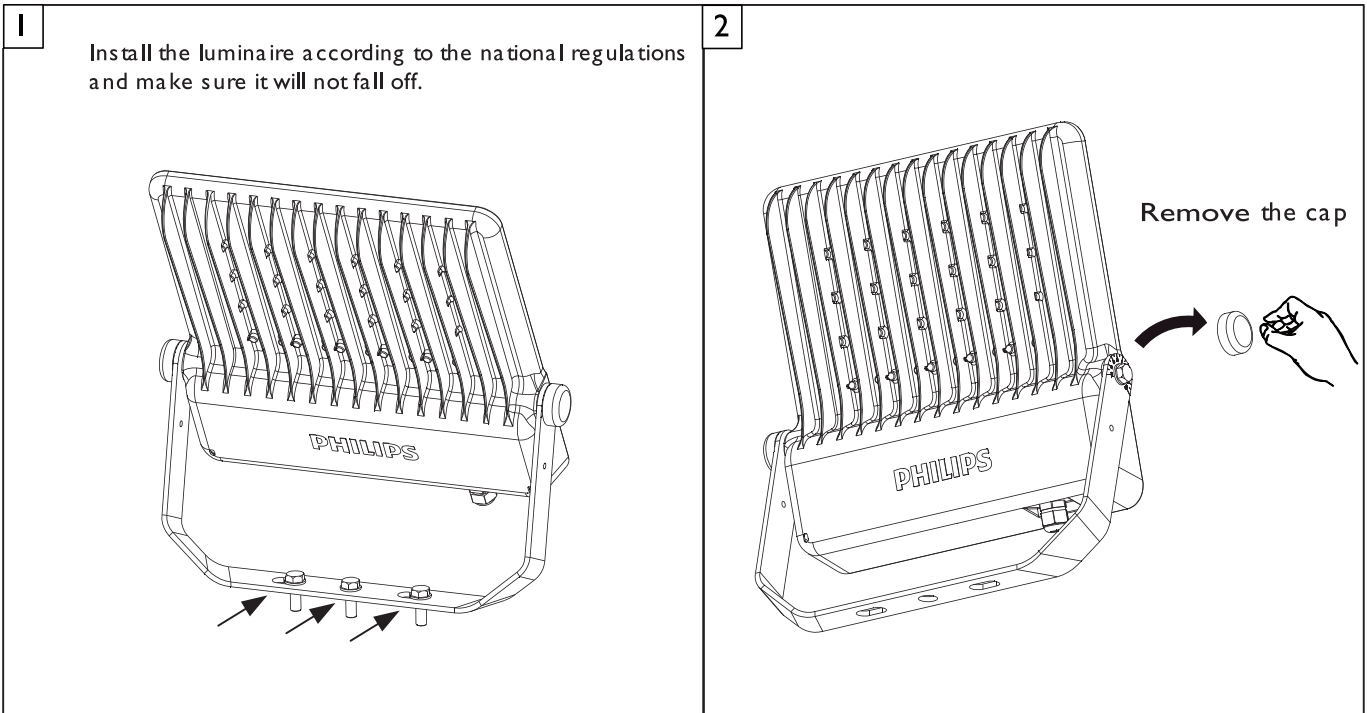
MCB	40W	80W	120W
16A-C	16	7	7
16A-B	10	4	4
10A-C	10	4	4

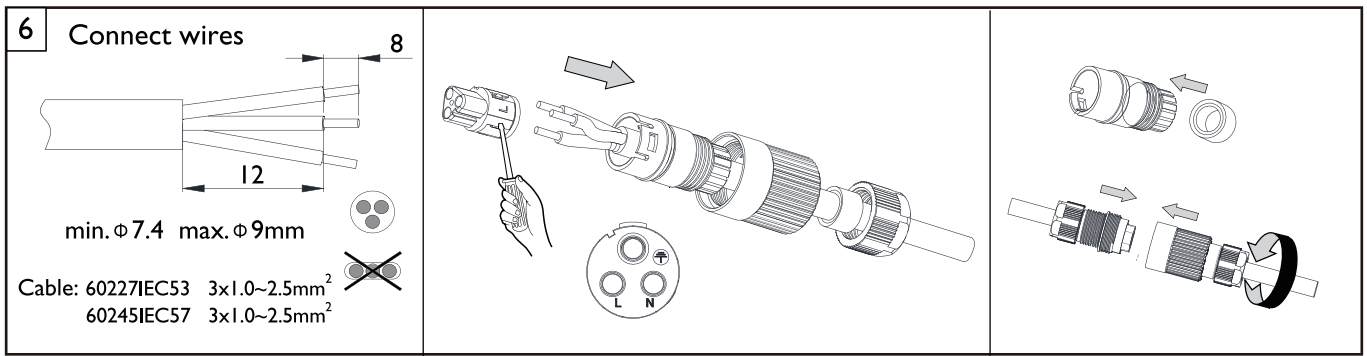
Universal Mounting Angle



Dimension in mm

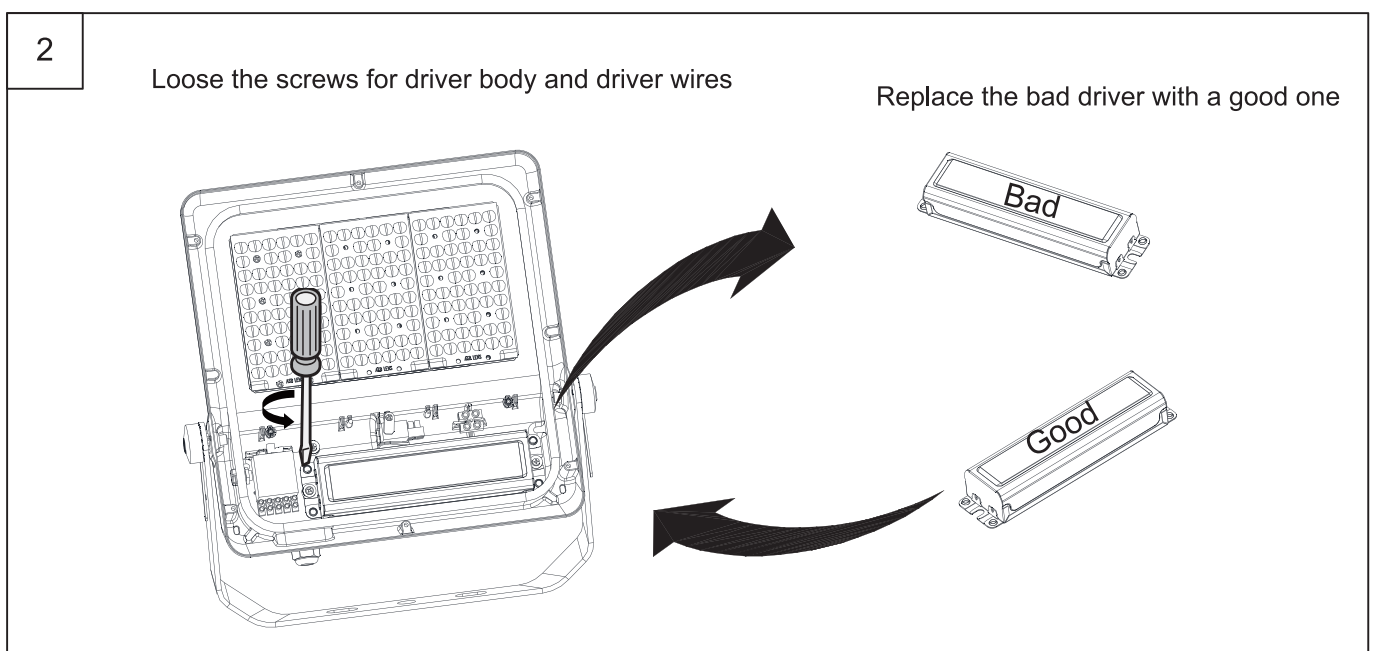
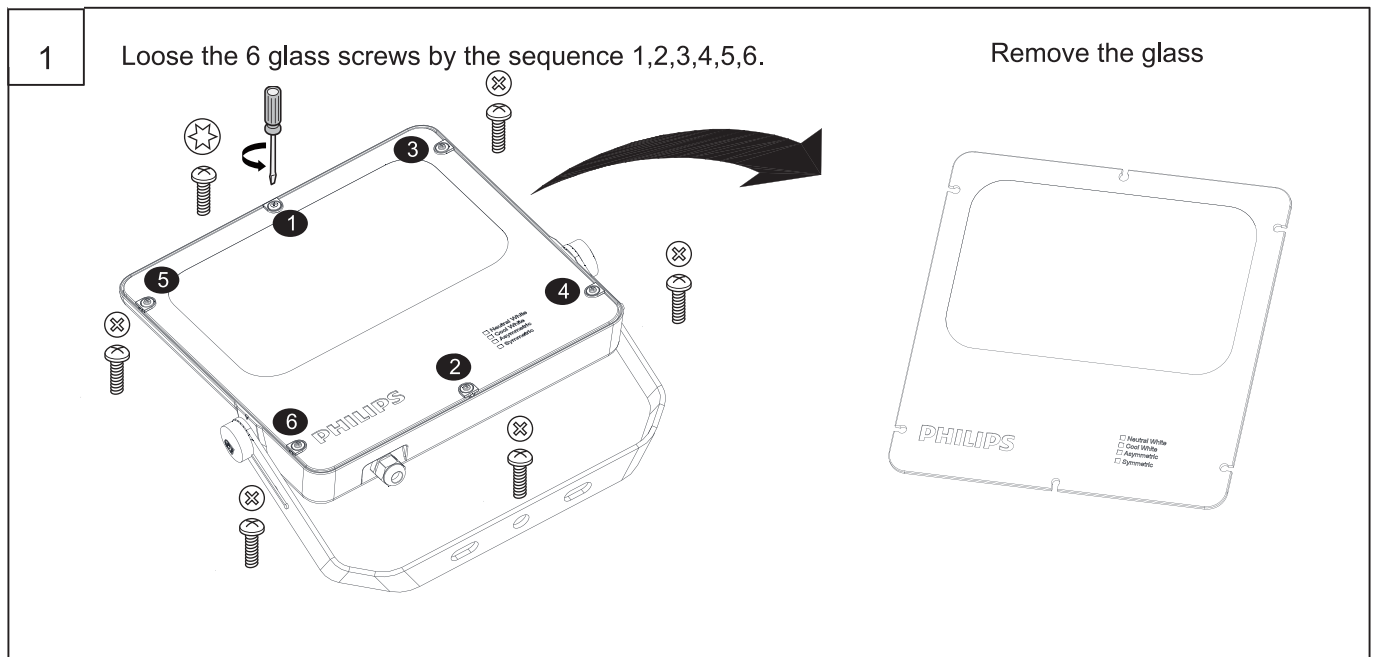
PHILIPS



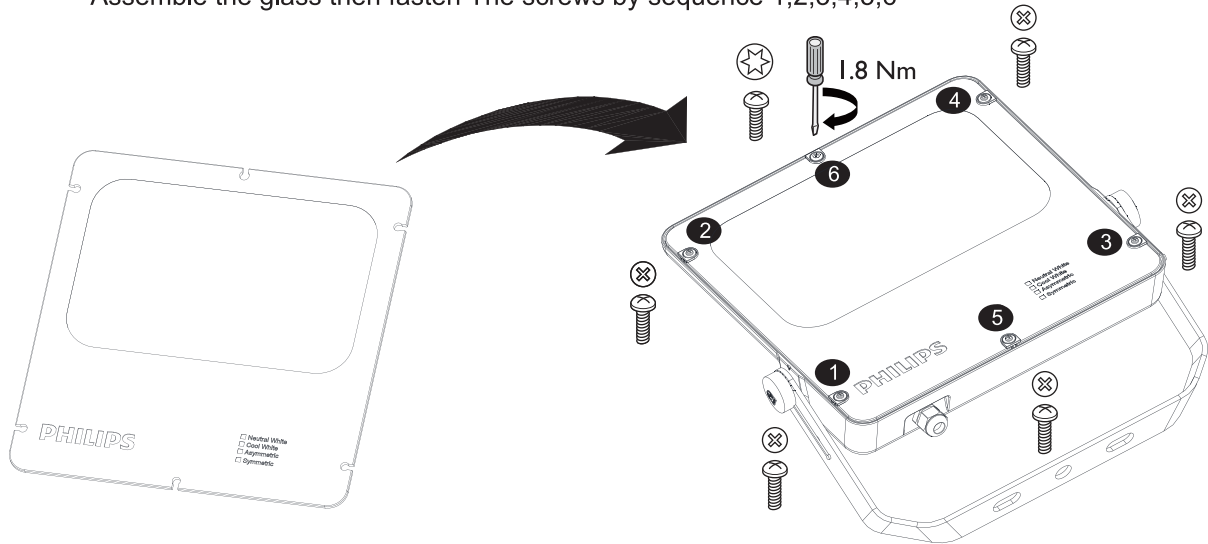


Driver Maintenance Instruction

Attention: The luminaire power should be switched off before following activities!



Assemble the glass then fasten The screws by sequence 1,2,3,4,5,6



- 1、 The luminaire shall be installed or maintained by a qualified electrician and wired in accordance with the latest IEE electrical regulations or the national requirements.
- 2、 If the external flexible cable or cord of this luminaire is damaged, it shall be exclusively replaced by the manufacturer or his service agent or a similar qualified person in order to avoid hazard.
- 3、 Outdoor use only