



LED Lamps

LED 20W GU5.3 WW 12V MR16 36D/4

LED Lamps are a perfect fit for general lighting applications. Compatible with most existing fixtures and designed as a retrofit replacement for incandescent and halogen lamps, LED Lamps deliver huge energy savings and minimize maintenance cost

Product data

• General Characteristics

Cap-Base	GU5.3
Bulb	MR16 [MR 16inch/50mm]
Rated Lifetime (hours)	15000 hr
Nominal Lifetime hours	15000 hr

• Light Technical Characteristics

Color Code	827
Color Designation (text)	Warm White
Beam Angle	36 D
Correlated Color Temperature	2700 K
Luminous Flux	225 Lm
Luminous Intensity	550 cd
Color rendering index	80
Luminous Efficacy Lamp	56.25 Lm/W
Color Temperature	2700 K [CCT 2700K]
Rated Luminous Flux	225 Lm
LLMF - end nominal lifetime	70 %
Colour consistency	6 steps
Rated Beam Angle	36 D
Luminous flux in 90° cone	225 Lm

• Electrical Characteristics

Wattage	4 W
Wattage Technical	4 W
Voltage	12 V
Line Frequency	50-60 Hz

Power Factor	0.5 -
Lamp Current mA	572 mA
Dimmable	No
Wattage Equivalent	20 W
Rated Wattage	4.2 W
Starting Time	0.1 (max) s
Warm-up Time to 60% Light Outp	instant full light
Suitable for accent lighting	Yes

• Temperature Characteristics

• Environmental characteristics

Energy Efficiency Label (EEL)	A
Energy consumption kWh/1000h	5 kWh

• Measuring Conditions

Switching cycle	50000X
-----------------	--------

• Product Dimensions

Overall Length C	49.9 mm
Diameter D	47.4 mm

• Product Data

Order code	929000251001
Full product code	929000251001
Full product name	LED 20W GU5.3 WW 12V MR16 36D/4

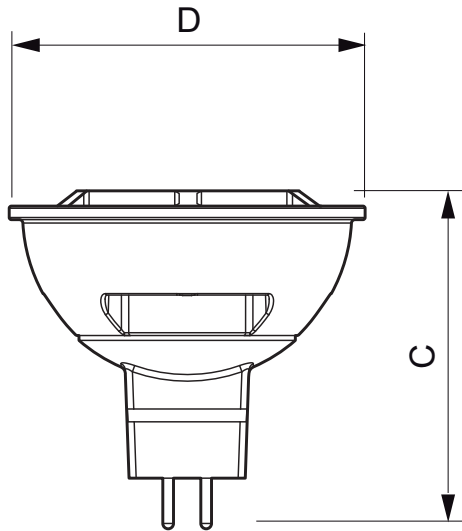


PHILIPS

Order product name LED 20W GU5.3 WW 12V MR16
36D/4
Pieces per pack 1
Packing configuration 4
Packs per outerbox 4
Bar code on pack - EAN1 8718291678311

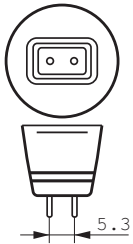
Bar code on outerbox - EAN3 8718291678328
Logistic code(s) - 12NC 929000251001
Net weight per piece 0.049 kg

Dimensional drawing



LED 20W GU5.3 WW 12V MR16 36D/4

Product	C (Norm)	D (Norm)
LED 4.2-20W 827 MR16 36D	49.9	47.4



GU5.3



© 2015 Koninklijke Philips N.V. (Royal Philips)
All rights reserved.

Specifications are subject to change without notice. Trademarks are the property of Koninklijke Philips N.V. (Royal Philips) or their respective owners.

www.philips.com/lighting

2015, August 29
data subject to change